

DURCHFÜHRUNGSTÜLLEN DK- PVC

Material: Weich-PVC, UL94-HB

Farbe: schwarz

-30° bis +70 °C 

| Typ | Art.-Nr. | A mm | B mm | C mm | D mm | F1 mm | F2 mm | VE Stück |
|---------------------|----------|---------|---------|---------|---------|----------|----------|-------------|
| DK-PVC 2/5/8-1 | 54-001 | 2,0 | 5,0 | 8,0 | 1,0 | 1,5 | 1,5 | 100 |
| DK-PVC 2/5/8-1,5 | 54-002 | | | | 1,5 | | | |
| DK-PVC 2/5/8-2 | 54-003 | | | | 2,0 | | | |
| DK-PVC 3/5/8-1 | 54-004 | 3,0 | 5,0 | 8,0 | 1,0 | 1,5 | 1,5 | 100 |
| DK-PVC 3/5/8-1,5 | 54-005 | | | | 1,5 | | | |
| DK-PVC 3/5/8-2 | 54-006 | | | | 2,0 | | | |
| DK-PVC 4/6/11-4 | 54-110 | 4,0 | 6,0 | 11,0 | 4,0 | 2,0 | 2,0 | 100 |
| DK-PVC 4/8/11-1 | 54-007 | | | | 1,0 | | | |
| DK-PVC 4/8/11-1,5 | 54-008 | | | | 1,5 | | | |
| DK-PVC 4/8/11-2 | 54-009 | 4,0 | 8,0 | 11,0 | 2,0 | 2,0 | 2,0 | 100 |
| DK-PVC 4/8/11-2,5 | 54-123 | | | | 1,5 | | | |
| DK-PVC 5/7/11-3 | 54-111 | | | | 3,0 | | | |
| DK-PVC 5/8/11-1 | 54-010 | 5,0 | 8,0 | 11,0 | 1,0 | 2,0 | 2,0 | 100 |
| DK-PVC 5/8/11-1,5 | 54-011 | | | | 1,5 | | | |
| DK-PVC 5/8/11-2 | 54-012 | | | | 2,0 | | | |
| DK-PVC 5,5/8/12-1,5 | 54-013 | 5,5 | 8,0 | 12,0 | 1,5 | 2,0 | 2,0 | 100 |
| DK-PVC 5,5/9/12-1 | 54-014 | | | | 1,0 | | | |
| DK-PVC 5,5/9/12-1,5 | 54-015 | | | | 1,5 | | | |
| DK-PVC 5,5/9/12-2 | 54-016 | 5,5 | 9,0 | 12,0 | 2,0 | 2,0 | 2,0 | 100 |
| DK-PVC 5,5/9/12-3 | 54-017 | | | | 3,0 | | | |
| DK-PVC 6/8/12-1,5 | 54-069 | | | | 1,5 | | | |
| DK-PVC 6/9/12-1 | 54-018 | 6,0 | 9,0 | 12,0 | 1,0 | 2,0 | 2,0 | 100 |
| DK-PVC 6/9/12-1,5 | 54-019 | | | | 1,5 | | | |
| DK-PVC 6/9/12-2 | 54-020 | | | | 2,0 | | | |
| DK-PVC 6/9/12-3 | 54-021 | | | | 3,0 | | | |
| DK-PVC 6/9/12-4 | 54-190 | | | | 4,0 | | | |
| DK-PVC 6/9/12-5 | 54-191 | | | | 5,0 | | | |
| DK-PVC 6/9/12-6 | 54-192 | | | | 6,0 | | | |
| DK-PVC 6/9/12-7 | 54-193 | | | | 7,0 | | | |
| DK-PVC 6/9/12-8 | 54-194 | | | | 8,0 | | | |
| DK-PVC 6/9/12-9 | 54-195 | 9,0 | | | | | | |
| DK-PVC 6/12/18-2 | 54-087 | 6,0 | 12,0 | 18,0 | 2,0 | 2,5 | 2,5 | 100 |
| DK-PVC 6/13/18-7 | 54-070 | | | | 7,0 | | | |
| DK-PVC 6/14/18-1 | 54-071 | | | | 1,0 | | | |
| DK-PVC 7/10/14-1 | 54-090 | 7,0 | 10,0 | 14,0 | 1,0 | 2,5 | 2,5 | 100 |
| DK-PVC 7/10/14-1,5 | 54-091 | | | | 1,5 | | | |
| DK-PVC 7/10/14-2 | 54-092 | | | | 2,0 | | | |
| DK-PVC 7/10/14-3 | 54-093 | | | | 3,0 | | | |
| DK-PVC 7/12/16-1 | 54-088 | 7,0 | 12,0 | 16,0 | 1,0 | 2,5 | 2,5 | 100 |
| DK-PVC 7/14/18-1 | 54-022 | | | | 1,0 | | | |
| DK-PVC 7/14/18-2 | 54-023 | | | | 2,0 | | | |
| DK-PVC 7/14/18-3 | 54-024 | 7,0 | 14,0 | 18,0 | 3,0 | 2,5 | 2,5 | 100 |
| DK-PVC 8/10/14-1 | 54-094 | | | | 1,0 | | | |
| DK-PVC 8/10/14-1,5 | 54-095 | | | | 1,5 | | | |
| DK-PVC 8/10/14-2 | 54-096 | 8,0 | 10,0 | 14,0 | 2,0 | 2,5 | 2,5 | 100 |
| DK-PVC 8/10/14-3 | 54-097 | | | | 3,0 | | | |
| DK-PVC 8/12/16-1 | 54-098 | | | | 1,0 | | | |
| DK-PVC 8/12/16-1,5 | 54-099 | 8,0 | 12,0 | 16,0 | 1,5 | 2,5 | 2,5 | 100 |
| DK-PVC 8/12/16-2 | 54-100 | | | | 2,0 | | | |
| DK-PVC 8/12/16-3 | 54-101 | | | | 3,0 | | | |



Formteile aus Weich-PVC werden im Spritzgussverfahren hergestellt. Sie haben deshalb eine einwandfreie Oberfläche und sind dimensionsgenau. Weich-PVC ist beständig gegen Wasser, Ozon, Wetter, verdünnte Säuren, Laugen und Salze. Es hat eine sehr gute Alterungsbeständigkeit. Es entspricht der Klassifizierung UL94-HB.

Farbe: weiß und hellgrau auf Anfrage lieferbar!



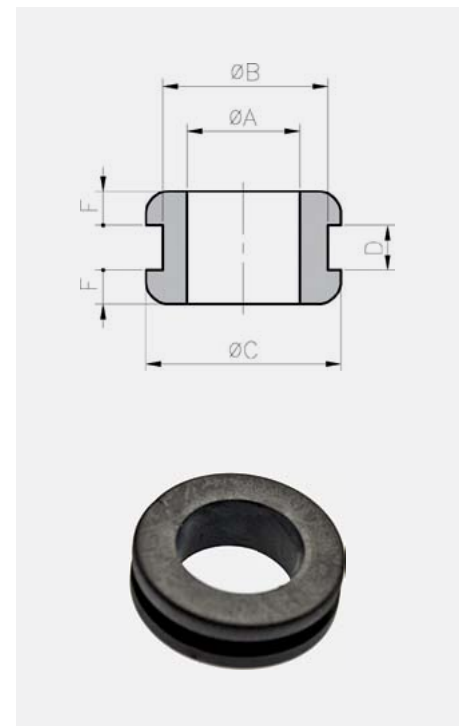
DURCHFÜHRUNGSTÜLLEN DK - PVC

Material: Weich-PVC, UL94-HB

Farbe: schwarz

-30° bis +70 °C 

| Typ | Art.-Nr. | A mm | B mm | C mm | D mm | F1 mm | F2 mm | VE Stück | |
|---------------------|----------|------|------|------|------|-------|-------|----------|-----|
| DK-PVC 8/14/18-1 | 54-025 | 8,0 | 14,0 | 18,0 | 1,0 | 2,5 | 2,5 | 100 | |
| DK-PVC 8/14/18-2 | 54-026 | | | | 2,0 | | | | |
| DK-PVC 8/14/18-3 | 54-027 | | | | 3,0 | | | | |
| DK-PVC 9/12/16-1 | 54-102 | 9,0 | 12,0 | 16,0 | 1,0 | 2,5 | 2,5 | 100 | |
| DK-PVC 9/12/16-1,5 | 54-103 | | | | 1,5 | | | | |
| DK-PVC 9/12/16-2 | 54-104 | | | | 2,0 | | | | |
| DK-PVC 9/12/16-3 | 54-105 | | | | 3,0 | | | | |
| DK-PVC 9/14/18-1 | 54-028 | 9,0 | 14,0 | 18,0 | 1,0 | 2,5 | 2,5 | 100 | |
| DK-PVC 9/14/18-2 | 54-029 | | | | 2,0 | | | | |
| DK-PVC 9/14/18-3 | 54-030 | | | | 3,0 | | | | |
| DK-PVC 10/12/16-1 | 54-106 | 10,0 | 12,0 | 16,0 | 1,0 | 2,5 | 2,5 | 100 | |
| DK-PVC 10/12/16-1,5 | 54-107 | | | | 1,5 | | | | |
| DK-PVC 10/12/16-2 | 54-108 | | | | 2,0 | | | | |
| DK-PVC 10/12/16-3 | 54-109 | | | | 3,0 | | | | |
| DK-PVC 10/18/22-1 | 54-031 | 10,0 | 18,0 | 22,0 | 1,0 | 2,5 | 2,5 | 100 | |
| DK-PVC 10/18/22-2 | 54-032 | | | | 2,0 | | | | |
| DK-PVC 10/18/22-3 | 54-033 | | | | 3,0 | | | | |
| DK-PVC 10/18/22-4 | 54-034 | | | | 4,0 | | | | |
| DK-PVC 11/18/22-1 | 54-035 | 11,0 | 18,0 | 22,0 | 1,0 | 2,5 | 2,5 | 100 | |
| DK-PVC 11/18/22-2 | 54-036 | | | | 2,0 | | | | |
| DK-PVC 11/18/22-3 | 54-037 | | | | 3,0 | | | | |
| DK-PVC 11/18/22-4 | 54-038 | | | | 4,0 | | | | |
| DK-PVC 12/18/22-1 | 54-039 | 12,0 | 18,0 | 22,0 | 1,0 | 2,5 | 2,5 | 100 | |
| DK-PVC 12/18/22-2 | 54-040 | | | | 2,0 | | | | |
| DK-PVC 12/18/22-3 | 54-041 | | | | 3,0 | | | | |
| DK-PVC 12/18/22-4 | 54-042 | | | | 4,0 | | | | |
| DK-PVC 14/22/27-1 | 54-043 | 14,0 | 22,0 | 27,0 | 1,0 | 3,0 | 3,0 | 100 | |
| DK-PVC 14/22/27-1,5 | 54-072 | | | | 1,5 | | | | |
| DK-PVC 14/22/27-2 | 54-044 | | | | 2,0 | | | | |
| DK-PVC 14/22/27-3 | 54-045 | | | | 3,0 | | | | |
| DK-PVC 14/22/27-4 | 54-046 | 4,0 | 16,0 | 22,0 | 27,0 | 1,0 | 3,0 | 3,0 | 100 |
| DK-PVC 16/22/27-1 | 54-047 | 1,5 | | | | | | | |
| DK-PVC 16/22/27-2 | 54-048 | 2,0 | | | | | | | |
| DK-PVC 16/22/27-3 | 54-049 | 3,0 | | | | | | | |
| DK-PVC 16/22/27-4 | 54-050 | 4,0 | 18,0 | 22,0 | 27,0 | 1,0 | 3,0 | 3,0 | 100 |
| DK-PVC 18/22/27-1 | 54-051 | 1,5 | | | | | | | |
| DK-PVC 18/22/27-2 | 54-052 | 2,0 | | | | | | | |
| DK-PVC 18/22/27-3 | 54-053 | 3,0 | | | | | | | |
| DK-PVC 18/22/27-4 | 54-054 | 4,0 | 32,0 | 42,0 | 2,0 | 4,0 | 4,0 | 50 | |
| DK-PVC 32/42-2 | 54-463 | 2,0 | | | | | | | |



Farbe: weiß und grau als Sonderfertigung auf Anfrage!

Die richtige Größe ist nicht dabei? Bitte sprechen Sie uns an, gerne finden wir ein Lösung für Sie.



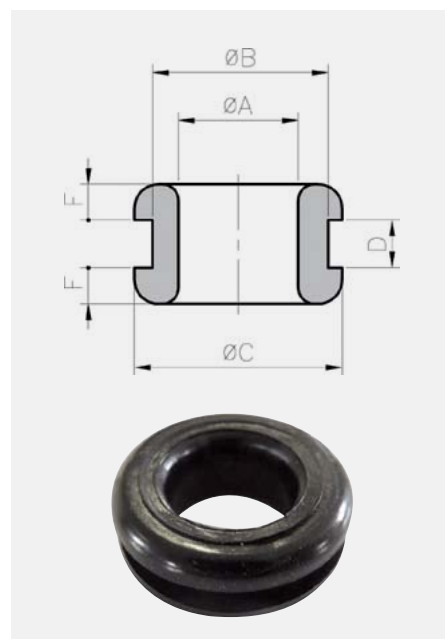
DURCHFÜHRUNGSTÜLLEN DR - PVC

Material: Weich-PVC, UL94-HB

Mit ausgeweitetem, durchgehendem Loch / Farbe: schwarz

-30° bis +70 °C 

| Typ | Art.-Nr. | A mm | B mm | C mm | D mm | F1 mm | F2 mm | VE Stück |
|-----------------|----------|------|------|------|------|-------|-------|----------|
| DR 4/7/10-1 | 54-210 | 4,0 | 7,0 | 10,0 | 1,0 | 1,5 | 1,5 | 100 |
| DR 4/7/10-1,5 | 54-211 | | | | 1,5 | | | |
| DR 4/7/10-2 | 54-212 | | | | 2,0 | | | |
| DR 5/8/11-1 | 54-213 | 5,0 | 8,0 | 11,0 | 1,0 | 1,5 | 1,5 | 100 |
| DR 5/8/11-1,5 | 54-214 | | | | 1,5 | | | |
| DR 5/8/11-2 | 54-215 | | | | 2,0 | | | |
| DR 6/10/14-1 | 54-216 | 6,0 | 10,0 | 14,0 | 1,0 | 2,0 | 2,0 | 100 |
| DR 6/10/14-1,5 | 54-217 | | | | 1,5 | | | |
| DR 6/10/14-2 | 54-218 | | | | 2,0 | | | |
| DR 6/10/14-3 | 54-219 | 8,0 | 12,0 | 16,0 | 3,0 | 2,0 | 2,0 | 100 |
| DR 8/12/16-1 | 54-220 | | | | 1,0 | | | |
| DR 8/12/16-1,5 | 54-221 | | | | 1,5 | | | |
| DR 8/12/16-2 | 54-222 | 8,0 | 12,0 | 16,0 | 2,0 | 2,0 | 2,0 | 100 |
| DR 8/12/16-3 | 54-223 | | | | 3,0 | | | |
| DR 10/14/18-1 | 54-224 | | | | 1,0 | | | |
| DR 10/14/18-1,5 | 54-225 | 10,0 | 14,0 | 18,0 | 1,5 | 2,0 | 2,0 | 100 |
| DR 10/14/18-2 | 54-226 | | | | 2,0 | | | |
| DR 10/14/18-3 | 54-227 | | | | 3,0 | | | |



DURCHFÜHRUNGSTÜLLEN DKF - PVC

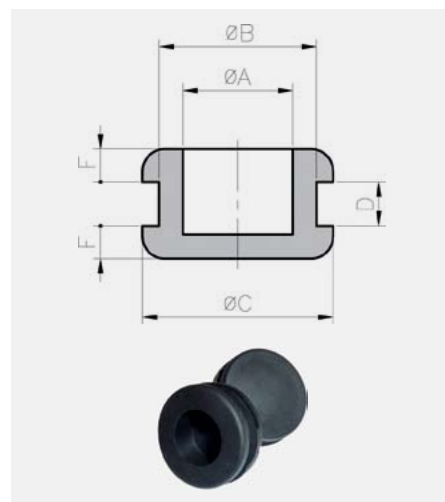
Material: Weich-PVC, UL94-HB

Farbe: schwarz

-30° bis +70 °C 

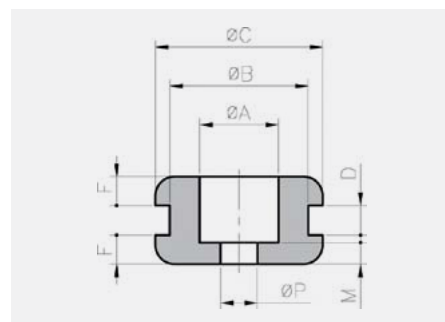
Mit einseitig geschlossener Membran

| Typ | Art.-Nr. | A mm | B mm | C mm | D mm | F1 mm | F2 mm | VE Stück |
|--------------------|----------|------|------|------|------|-------|-------|----------|
| DKF-PVC 5/7/11-3 | 54-273 | 5,0 | 7,0 | 11,0 | 3,0 | 2,0 | 2,0 | 100 |
| DKF-PVC 5,5/9/12-3 | 54-274 | 5,5 | 9,0 | 12,0 | 3,0 | 2,0 | 2,0 | 100 |
| DKF-PVC 6/9/12-3 | 54-275 | 6,0 | 9,0 | 12,0 | 3,0 | 2,0 | 2,0 | 100 |
| DKF-PVC 6/14/18-1 | 54-276 | 6,0 | 14,0 | 18,0 | 1,0 | 2,5 | 2,5 | 100 |
| DKF-PVC 7/14/18-3 | 54-277 | 7,0 | 14,0 | 18,0 | 3,0 | 2,5 | 2,5 | 100 |
| DKF-PVC 8/14/18-3 | 54-278 | 8,0 | 14,0 | 18,0 | 3,0 | 2,5 | 2,5 | 100 |
| DKF-PVC 9/12/16-2 | 54-279 | 9,0 | 12,0 | 16,0 | 2,0 | 2,5 | 2,5 | 100 |
| DKF-PVC 9/14/18-3 | 54-280 | 9,0 | 14,0 | 18,0 | 3,0 | 2,5 | 2,5 | 100 |
| DKF-PVC 10/18/22-3 | 54-281 | 10,0 | 18,0 | 22,0 | 3,0 | 2,5 | 2,5 | 100 |
| DKF-PVC 10/18/22-4 | 54-282 | | | | 4,0 | | | |
| DKF-PVC 11/18/22-3 | 54-283 | 11,0 | 18,0 | 22,0 | 3,0 | 2,5 | 2,5 | 100 |
| DKF-PVC 11/18/22-4 | 54-284 | | | | 4,0 | | | |
| DKF-PVC 12/18/22-3 | 54-285 | 12,0 | 18,0 | 22,0 | 3,0 | 2,5 | 2,5 | 100 |
| DKF-PVC 12/18/22-4 | 54-286 | | | | 4,0 | | | |



Durchführungstülsen DKP-PVC mit gelochter Membran

| Typ | Art.-Nr. | A mm | B mm | C mm | D mm | F mm | H mm | M mm | P mm | VE Stück |
|-----------------------|----------|------|------|------|------|------|------|------|------|----------|
| DKP-PVC 3-5/7/11-3 | 54-300 | 5,0 | 7,0 | 11,0 | 3,0 | 2,5 | 8,0 | 0,7 | 3,0 | 100 |
| DKP-PVC 3-7/14/18-3 | 54-290 | 7,0 | 14,0 | 18,0 | 3,0 | 2,5 | 8,0 | 2,5 | 3,0 | 100 |
| DKP-PVC 3-9/12/16-2 | 54-301 | 9,0 | 12,0 | 16,0 | 2,0 | 2,5 | 7,0 | 2,0 | 3,0 | 100 |
| DKP-PVC 6,5-8/12/16-2 | 54-291 | 8,0 | 12,0 | 16,0 | 2,0 | 2,5 | 7,0 | 1,0 | 6,5 | 100 |
| DKP-PVC 3,1-9/14/18-3 | 54-292 | 9,0 | 14,0 | 18,0 | 3,0 | 2,5 | 8,0 | 2,0 | 3,1 | 100 |
| DKP-PVC 5,5-9/14/18-3 | 54-293 | | | | | | | | 5,5 | |
| DKP-PVC 6-10/18/22-3 | 54-294 | 10,0 | 18,0 | 22,0 | 3,0 | 2,5 | 8,0 | 2,0 | 6,0 | 100 |
| DKP-PVC 7-10/18/22-3 | 54-302 | | | | | | | | 7,0 | |
| DKP-PVC 8-10/18/22-3 | 54-295 | | | | | | | | 8,0 | |
| DKP-PVC 9-10/18/22-3 | 54-303 | | | | | | | | 9,0 | |



DURCHFÜHRUNGSTÜLLEN DO mit Langloch

Material: TPE - thermoplastischer Gummi, UL94-HB (UL-gelistet, halogenfrei)

Material: Weich-PVC, UL94-HB

TPE -50° bis +125 °C
 PVC -30° bis + 70 °C

| Typ | Art.-Nr. | VE Stück |
|------------------------|----------|----------|
| DO-PVC 19/27/33/3 grau | 54-201 | 100 |
| DO-PVC 29/37/43/3 grau | 54-202 | 100 |
| DO-PVC 44/52/58/3 grau | 54-203 | 100 |

Farbe: grau

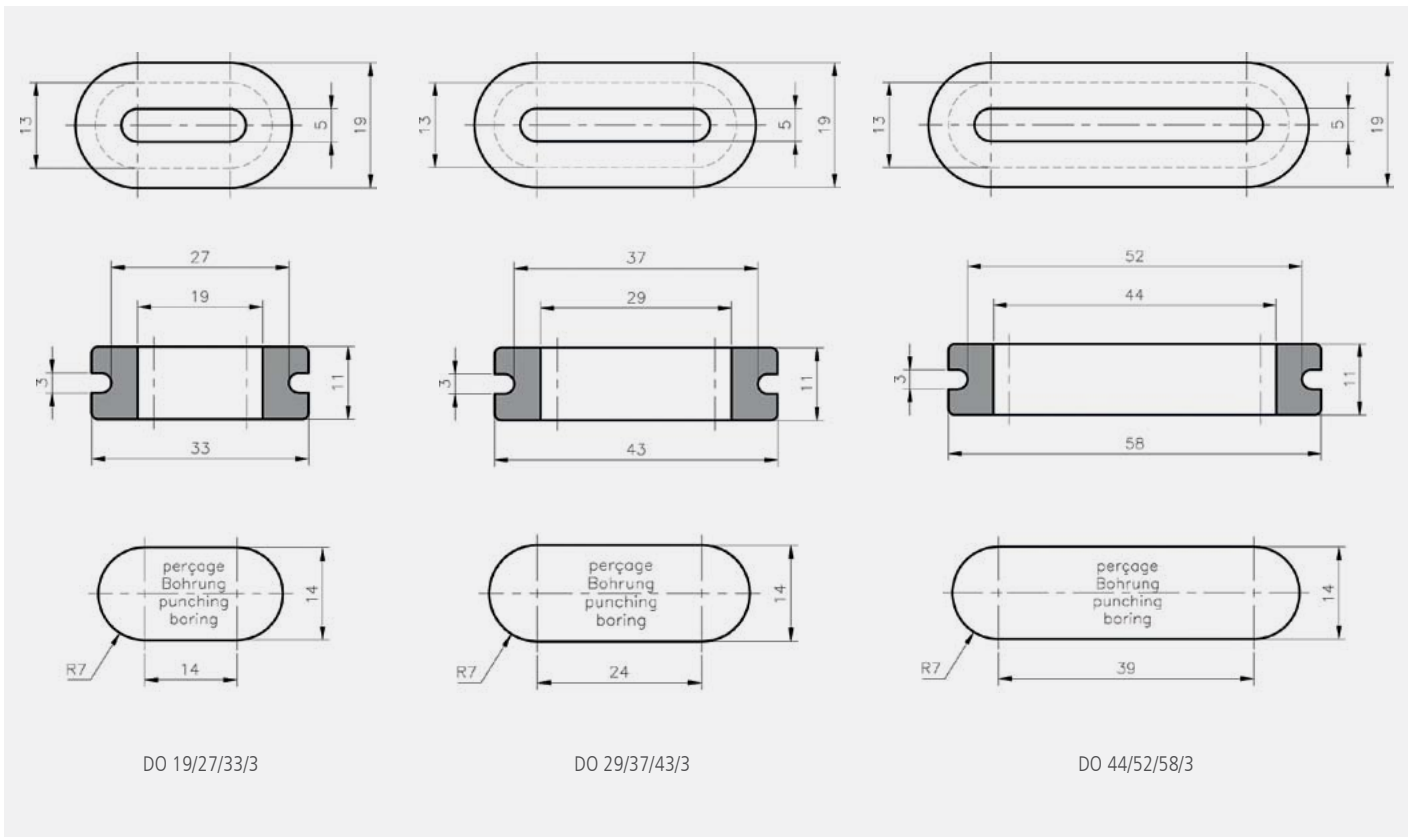
| Typ | Art.-Nr. | VE Stück |
|---------------------------|----------|----------|
| DO-PVC 19/27/33/3 schwarz | 54-204 | 100 |
| DO-PVC 29/37/43/3 schwarz | 54-205 | 100 |
| DO-PVC 44/52/58/3 schwarz | 54-206 | 100 |

| | | |
|---------------------------|--------|-----|
| DO-TPE 19/27/33/3 schwarz | 53-204 | 100 |
| DO-TPE 29/37/43/3 schwarz | 53-205 | 100 |
| DO-TPE 44/52/58/3 schwarz | 53-206 | 100 |

Farbe: schwarz



Zum Schutz von Rund- und Flachkabeln



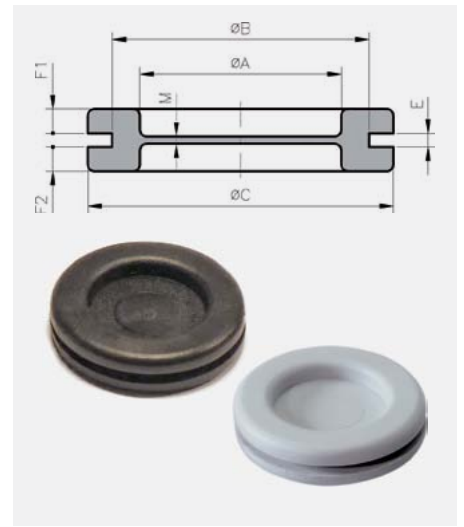
MEMBRAN-DURCHFÜHRUNGSTÜLLEN DG-PVC

Material: Weich-PVC - weich Polyvinylchlorid, UL94-HB Materialinfo Seite 42

Farbe: schwarz, hellgrau (ähnlich RAL 7035)

-30° bis +70°C 

| Typ | Art.-Nr.: schwarz | Art.-Nr.: hellgrau | A mm | B mm | C1 mm | C2 mm | D mm | E mm | M mm | VE Stück |
|-------------------------------|----------------------|-----------------------|---------|---------|----------|----------|---------|---------|---------|-------------|
| Membrantüllen PG | | | | | | | | | | |
| DG-PVC PG9 | 55-110 | 55-510 | 9,0 | 15,0 | 20,0 | 18,0 | 7,0 | 2,0 | 1,0 | 100 |
| DG-PVC PG11 | 55-120 | 55-520 | 11,0 | 18,0 | 22,5 | 21,5 | 7,0 | 2,0 | 1,0 | 100 |
| DG-PVC PG13,5 | 55-130 | 55-530 | 13,5 | 20,0 | 24,0 | 24,0 | 7,0 | 2,0 | 1,0 | 100 |
| DG-PVC PG16 | 55-140 | 55-540 | 16,0 | 22,0 | 27,5 | 26,0 | 7,4 | 2,0 | 1,0 | 100 |
| DG-PVC PG16/E3 | 55-143 | | 16,0 | 22,0 | 27,5 | 26,0 | 7,4 | 3,0 | 2,0 | 100 |
| DG-PVC PG21 | 55-150 | 55-550 | 21,0 | 28,0 | 34,5 | 34,5 | 8,0 | 2,0 | 1,0 | 100 |
| DG-PVC PG21/E1 | 55-158 | | 21,0 | 28,0 | 34,5 | 34,5 | 8,0 | 1,0 | 1,2 | 100 |
| DG-PVC PG29 | 55-160 | | 29,0 | 36,5 | 43,0 | 43,0 | 9,5 | 2,2 | 1,5 | 50 |
| DG-PVC PG36 | 55-170 | | 35,0 | 46,0 | 52,5 | 52,5 | 10,0 | 2,5 | 1,3 | 50 |
| DG-PVC PG48 | 55-180 | | 46,5 | 59,0 | 66,2 | 66,2 | 10,5 | 2,5 | 1,6 | 50 |
| Membrantüllen metrisch | | | | | | | | | | |
| DG-PVC M20 | 55-133 | 55-533 | 13,5 | 20,0 | 24 | 24,2 | 7,0 | 2,0 | 1,0 | 100 |
| DG-PVC M25 | 55-153 | 55-553 | 21,0 | 25,0 | 34,5 | 34,5 | 8,0 | 2,0 | 1,0 | 100 |
| DG-PVC M32 | 55-163 | 55-563 | 29,0 | 32,0 | 43 | 43,2 | 9,0 | 2,0 | 1,5 | 100 |



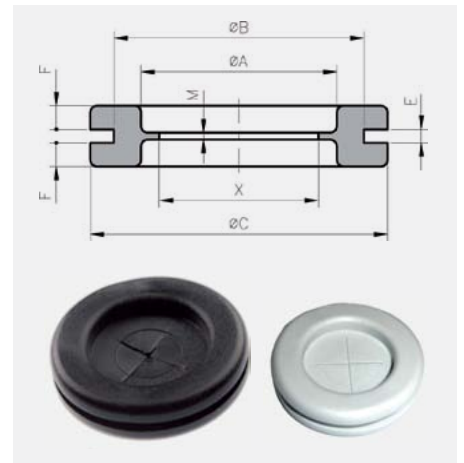
MEMBRAN-DURCHFÜHRUNGSTÜLLEN DGC - PVC kreuzgeschlitzt

Material: Weich-PVC - weich Polyvinylchlorid, UL94-HB Materialinfo Seite 42

Farbe: schwarz, hellgrau (ähnlich RAL 7035)

-30° bis +70°C 

| Typ | Art.-Nr.: schwarz | Art.-Nr.: grau | A mm | B mm | C mm | E mm | F mm | M mm | Kreuz X mm | VE Stück |
|-------------------------------|----------------------|-------------------|---------|---------|---------|---------|---------|---------|---------------|-------------|
| Membrantüllen PG | | | | | | | | | | |
| DGC-PVC PG9/8 | 51-201-08 | 51-211-08 | 9,0 | 15,0 | 20,0 | 2,0 | 2,5 | 1,0 | 8,0 | 100 |
| DGC-PVC PG11/10 | 51-202-10 | 51-212-10 | 11,0 | 18,0 | 22,5 | 2,0 | 2,5 | 1,0 | 10,0 | 100 |
| DGC-PVC PG13,5/10 | 51-203-10 | 51-213-10 | 13,5 | 20,0 | 24,0 | 2,0 | 2,5 | 1,0 | 10,0 | 100 |
| DGC-PVC PG16/14 | 51-204-14 | 51-214-14 | 16,0 | 22,0 | 27,5 | 2,0 | 2,7 | 1,0 | 14,0 | 100 |
| DGC-PVC PG21/17 | 51-206-17 | 51-215-17 | 21,0 | 28,0 | 34,5 | 2,0 | 3,0 | 1,0 | 17,0 | 100 |
| DGC-PVC PG29/25 | 51-208-25 | | 29,0 | 37,0 | 43,5 | 2,2 | 3,7 | 1,3 | 25,0 | 50 |
| DGC-PVC PG36/32 | 51-209-32 | | 35,5 | 47,0 | 52,5 | 2,5 | 3,8 | 1,3 | 32,0 | 50 |
| DGC-PVC PG48/42 | 51-210-42 | | 47,0 | 59,0 | 67,0 | 2,5 | 4,0 | 1,5 | 42,0 | 50 |
| Membrantüllen metrisch | | | | | | | | | | |
| DGC-PVC M20/10 | 51-220-10 | 51-230-10 | 13,5 | 20,0 | 24,0 | 2,0 | 2,5 | 1,0 | 10,0 | 100 |
| DGC-PVC M25/17 | 51-221-17 | 51-231-17 | 21,0 | 25,0 | 34,5 | 2,0 | 3,0 | 1,0 | 17,0 | 100 |
| DGC-PVC M32/25 | 51-222-25 | 51-232-25 | 29,0 | 32,0 | 43,5 | 2,2 | 3,7 | 1,3 | 25,0 | 100 |



Dies sind einige Standard-Varianten unserer kreuzgeschlitzten Membrantüllen. Ca.1000 weitere Varianten gelochter und geschlitzter Membrantüllen finden Sie auf unserer Homepage unter www.prechter-renner.de oder in der Broschüre »Membrantüllen«.



KABELDURCHFÜHRUNGSTÜLLEN U-FORM, EINZELGRÖSSEN & SONDERFORMEN

Material: Weich-PVC, TPE, CR, EPDM

Farbe: schwarz

| Typ | Art.-Nr.: | A mm | B mm | C1 mm | C2 mm | D mm | E mm | P mm | VE Stück |
|-----------------------------------|-----------|------|------|-------|-------|------|------|------|----------|
| Kabeldurchführungen U-Form | | | | | | | | | |
| DU-PVC 747 | 55-211 | 13,5 | 20,0 | 24,0 | 24,0 | 9,0 | 4,0 | | 100 |
| DU-PVC 1475 | 55-212 | 13,5 | 20,0 | 24,0 | 24,0 | 9,0 | 2,0 | | 100 |
| DUC-PVC 747 | 55-213 | 13,5 | 20,0 | 24,0 | 24,0 | 9,0 | 4,0 | | 100 |
| DUC-PVC 1475 | 55-214 | 13,5 | 20,0 | 24,0 | 24,0 | 9,0 | 2,0 | | 100 |
| DU-TPE 747 | 55-220 | 13,5 | 20,0 | 24,0 | 24,0 | 9,0 | 4,0 | | 100 |
| DU-TPE 1475 | 55-221 | 13,5 | 20,0 | 24,0 | 24,0 | 9,0 | 2,0 | | 100 |
| DUP-PVC 747/8 | 51-951 | 13,5 | 20,0 | 24,0 | 24,0 | 9,0 | 4,0 | 8,0* | 100 |
| DUP-PVC 1475/8 | 51-952 | 13,5 | 20,0 | 24,0 | 24,0 | 9,0 | 2,0 | 8,0* | 100 |
| DUP-TPE 747/8 | 51-953 | 13,5 | 20,0 | 24,0 | 24,0 | 9,0 | 4,0 | 8,0* | 100 |
| DUP-TPE 1475/8 | 51-954 | 13,5 | 20,0 | 24,0 | 24,0 | 9,0 | 2,0 | 8,0* | 100 |
| DU-PVC 1461 | 55-215 | 5,0 | 7,5 | 12,0 | 9,5 | 4,0 | 1,0 | | 100 |
| DU-TPE 1461 | 55-222 | 5,0 | 7,5 | 12,0 | 9,5 | 4,0 | 1,0 | | 100 |
| DU-TPE 032 | 55-224 | 10,0 | 15,0 | 19,0 | 21,0 | 7,2 | 2,0 | | 100 |
| DU-TPE 985 | 55-226 | 5,0 | 15,0 | 20,0 | 21,5 | 7,4 | 2,0 | | 100 |
| DU-CR 010 | 55-227 | 9,0 | 16,0 | 20,0 | 20,0 | 6,5 | 3,5 | | 100 |
| DU-CR 746 | 55-228 | 11,0 | 16,0 | 20,0 | 20,0 | 6,5 | 3,5 | | 100 |

Membrantüllen Einzel-Größen & Sonderformen

| | | | | | | | | | |
|-----------|--------|-----------------|--|--|--|--|--|--|-----|
| DG-CR 377 | 55-250 | siehe Zeichnung | | | | | | | 100 |
| DG-CR 093 | 55-251 | siehe Zeichnung | | | | | | | 100 |
| DG-CR 076 | 55-252 | siehe Zeichnung | | | | | | | 100 |

Art.-Nr.: 55-250 / DG-CR 377

Art.-Nr.: 55-251 / DG-CR 093

Art.-Nr.: 55-252 / DG-CR 076

Art.-Nr.: 55-215 / DU-PVC 1461
Art.-Nr.: 55-222 / DU-TPE 1461

Art.-Nr.: 55-227 / DU-CR 010
Art.-Nr.: 55-228 / DU-CR 746

DU 1475 / 747

DUC 1475 / 747

DUP 1475 / 747

DU-TPE 985

DU-TPE 032

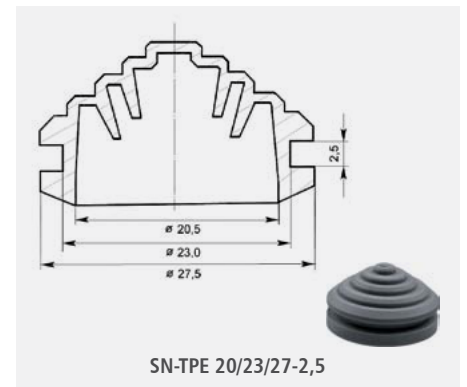
* weitere gelochte & geschlitze Varianten auf Anfrage



STUFENNIPPEL, UNIVERSAL-DURCHFÜHRUNGSTÜLLEN UND MULTI-KABELTÜLLEN

Material: Weich-PVC, TPE, CR, EPDM

| Typ | Art.-Nr.: | Farbe | Kabel-Ø mm | A mm | B mm | C mm | E mm | H mm | VE Stück |
|---------------------|-----------|---------|-------------------------|---------|---------|-----------|---------|---------|-------------|
| MKT-TPE 3x11 | 55-910 | schwarz | 3x 1,0 - 11,0 (3x) 11,0 | 29,0 | 34,0 | 1,0 - 2,5 | 11,0 | 100 | |
| SN-TPE 20/23/27-2,5 | 55-700 | weiß | 3,5 - 20,0 | 20,5 | 23,0 | 27,5 | 2,5 | 17,0 | 200 |
| SN-TPE 20/23/27-2,5 | 55-701 | grau | 3,5 - 20,0 | 20,5 | 23,0 | 27,5 | 2,5 | 17,0 | 200 |
| SN-PVC 5-9/12-3 | 55-710 | schwarz | 5,0 - 9,0 | | 12,7 | | 3,0 | 32,5 | 200 |
| SN-PVC 5-17/21-3 | 55-711 | schwarz | 5,0 - 17,0 | | 21,0 | | 3,0 | 27,5 | 200 |
| SN-PVC 10-22/26-3 | 55-712 | schwarz | 10,0 - 22,0 | | 26,0 | | 3,0 | 29,5 | 200 |
| KT-PVC 8-17/20-1,6 | 55-720 | schwarz | 8,0 - 17,0 | | 20,0 | | 1,6 | 33,5 | 200 |
| DG-J 39 EPDM | 55-900 | schwarz | 3,0 - 39,0 | | 47,0 | 53,0 | 7,0 | 15,0 | 100 |
| DA-CR 734 | 52-904 | schwarz | 23,0 - 75,0 | 75,0 | 85,0 | 105,0 | 4,0 | 60,2 | 15 |
| SN-TPE 20-80 | 52-905 | schwarz | 20,0 - 80,0 | | | | | | 5 |



Unsere Stufennippel bzw. Universal-Durchführungstüllen sind abgestuft und für mehrere Kabelgrößen geeignet. Je nach Kabeldurchmesser können die Tüllen zugeschnitten werden. Bis auf Artikel 55-720 sind alle Typen auch als Blindstopfen verwendbar.

Art.-Nr.: 55-900 / DG-J 39 EPDM

SN-PVC

KT-PVC 8-17 / 20-1,6

Art.-Nr.: 55-910 / MKT-TPE 3x11

Art.-Nr.: 52-904 / DA-CR 734

Art.-Nr.: 52-905 / SN-TPE 20-80

Mit eingearbeiteter Stahlplatte für eine sichere Befestigung

